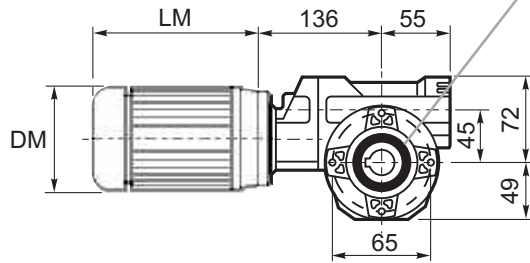
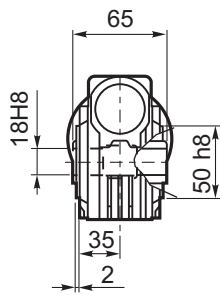
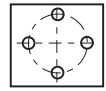


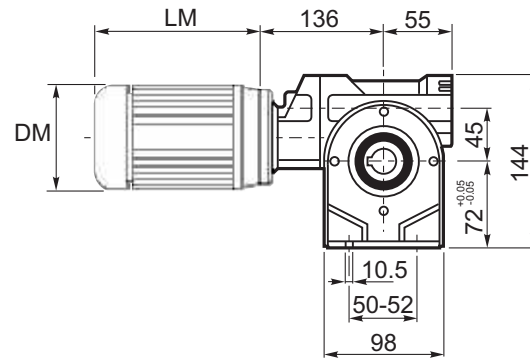
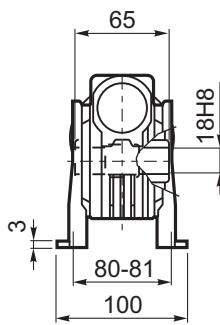
**M... \FB**



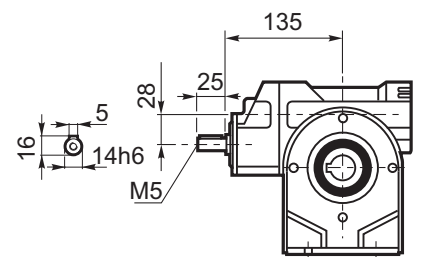
4 fori M6x14  
4 holes M6x14



**M... \PA**

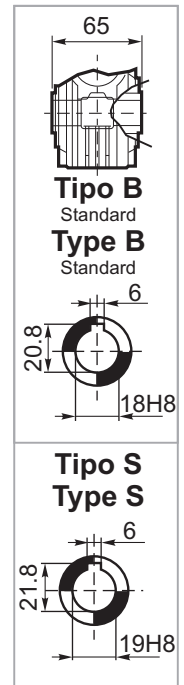
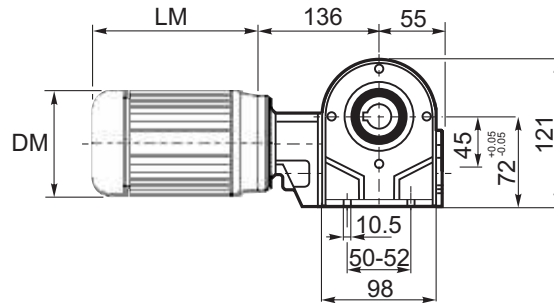
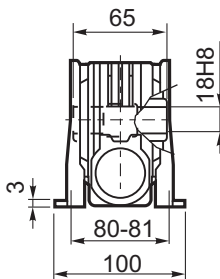


**R...**

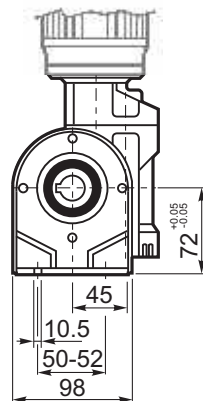
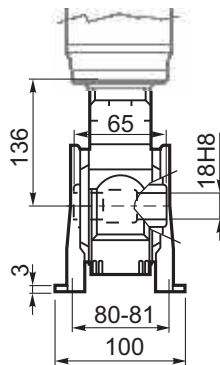


**ALBERO USCITA  
OUTPUT  
SHAFT**

**M... \PB**



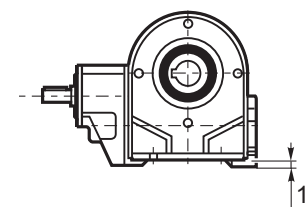
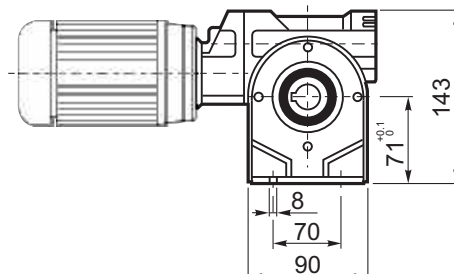
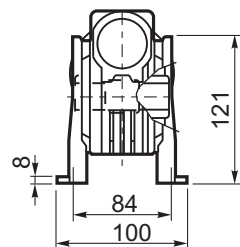
**M... \PV**

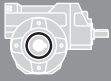


**PIEDINI**

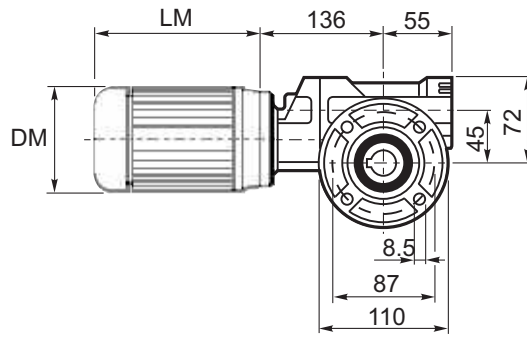
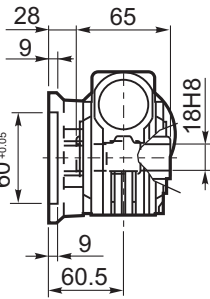
**Tipo S**  
A richiesta

**FEET**  
Type S  
On request

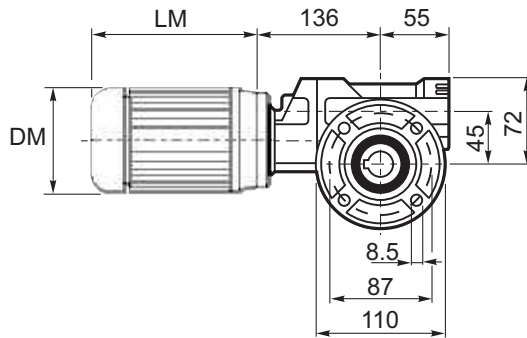
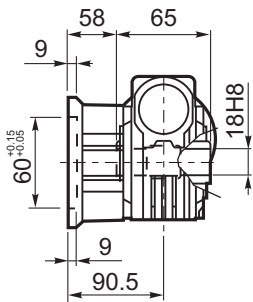




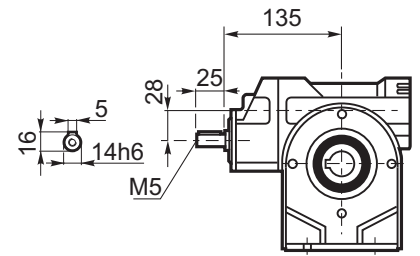
**M... \FC**



**M... \FL**

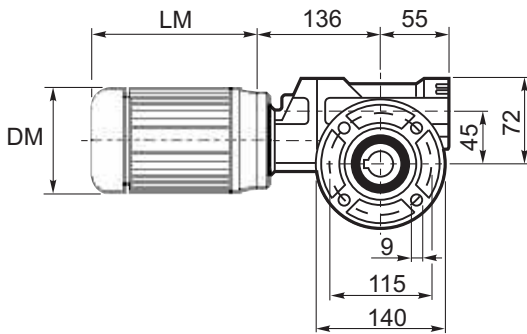
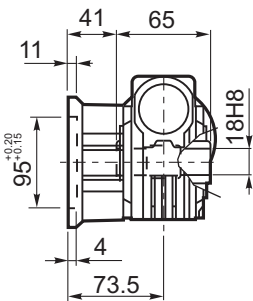


**R...**

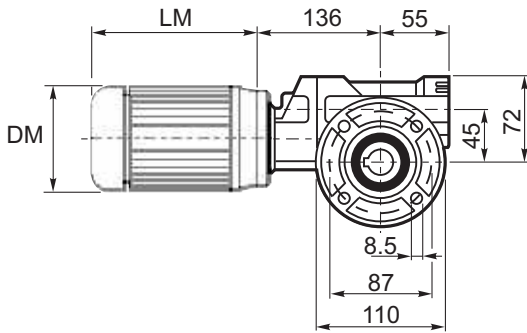
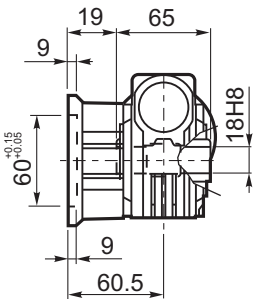


**ALBERO USCITA OUTPUT SHAFT**

**M... \F1**



**M... \F2**



**M... \F3**

