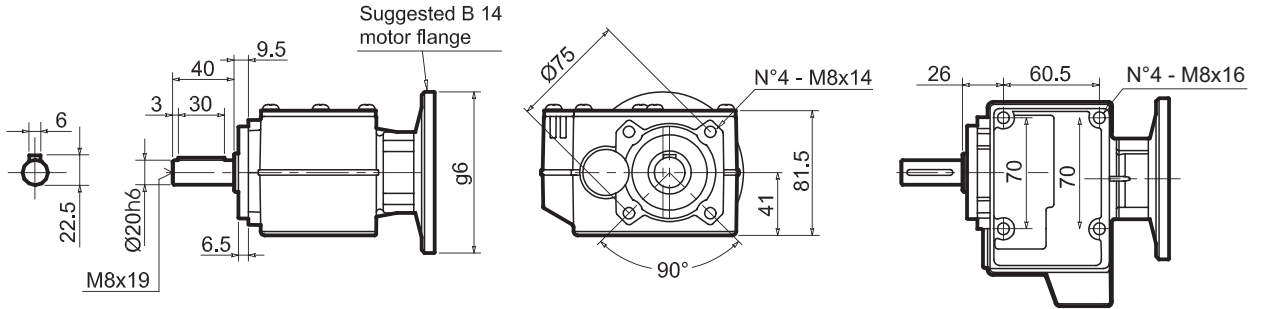
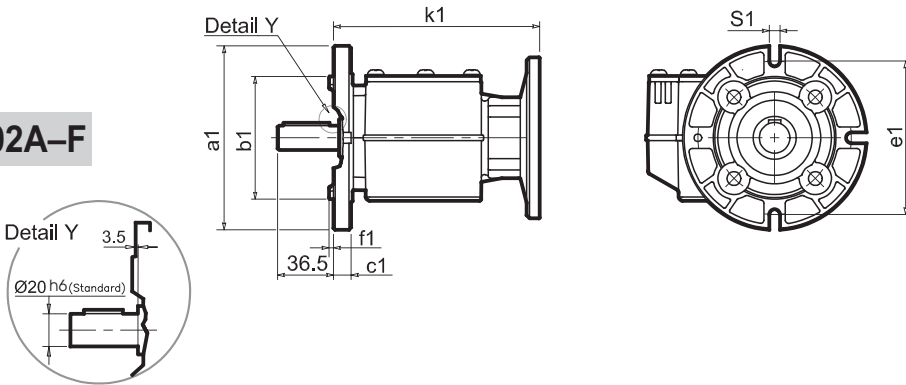




P302A-N



P302A-F



Flange uscita / Output flange

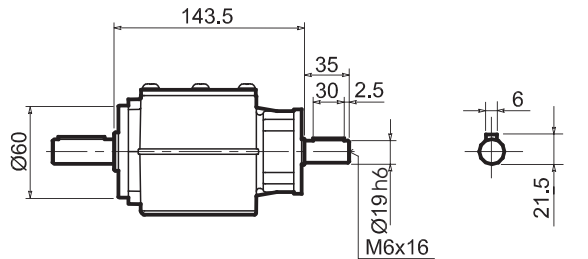
a1 Ø	b1	e1	c1	f1	s1
120	80	100	11.5	3	9
140	95	115	11.5	3	9 *
160	110	130	11.5	3.5	9 *
200	130	165	11.5	3.5	11 *

\* Posizione fori / Holes position

Ø Albero uscita / Output shaft

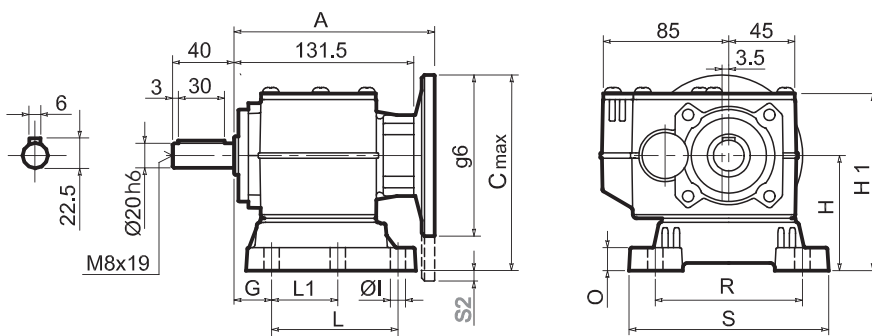
Standard	Ø 20x40
A richiesta / On request	Ø 14x30 Ø 16x40
	Ø 25x50

R302A-N



Kg with flange 3.5  
Kg with feet 4.0

P302A....



Type 302A (Motor flange)

Motor Flange	A	C max	g6	k1
71 B14	149.5	152.5	105	159.2
80 B14	150.5	160	120	160.2
90 B14	151.5	170	140	161.2
63 B5	151.5	170	140	161.2
71 B5	149.5	180	160	159.2
80/90 B5	151.5	200	200	161.2

Piedi di fissaggio disponibili / Available feet dimensions

Market reference	Feet Code:	G	H	R	L	L1	S	H1	O	Ø1	S2 With motor flange	B5 max. flange
102	B1	18	85	110	87	50	130	125	15	9	15 80/90 B5	
202/3	B2	18	100	130	107.5	60	155	145	5	11	3.5 80/90 B5	
17 - 32	S1	18	75	110	110	50	130	115.5	15	9	5 71 B5	71 B5
27	S2	25	90	110	130		130		5	9		
03	L 3	12.5	65	91	60		105	149	5	9	31.5 80/90 B5	
04	L 4	13	80	105	76		132	165	5	9	16.5 80/90 B5	



Controllare le misure principali (G - H - R - L) troverete i codici (B1 - S1 - ecc.) corrispondenti alle dimensioni di vostro utilizzo.

Checking the main dimensions (G - H - R - L) you will find the codes (S1 - B1 - etc.) of your need.

Tipi più diffusi / Most popular types